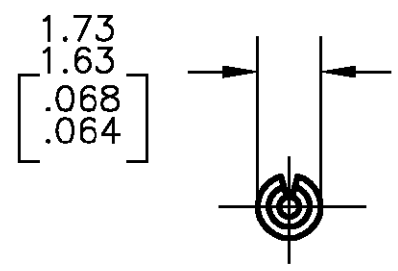
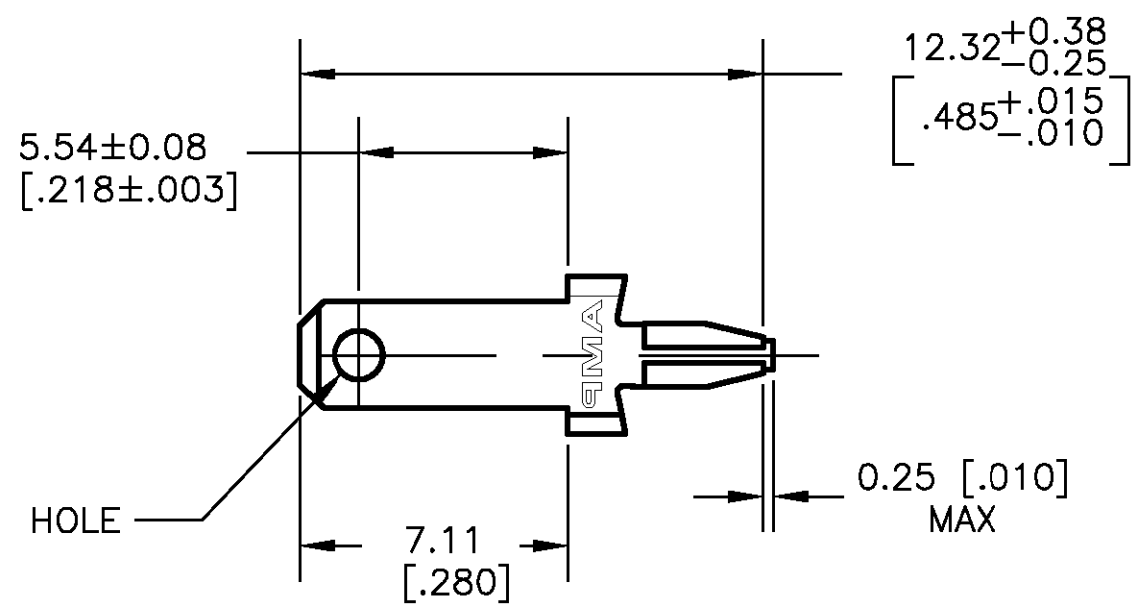
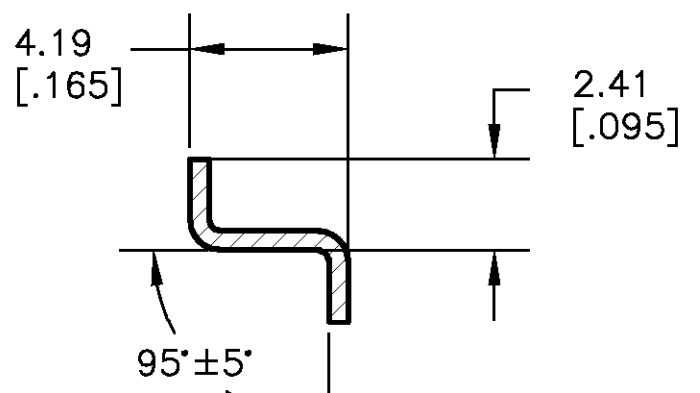
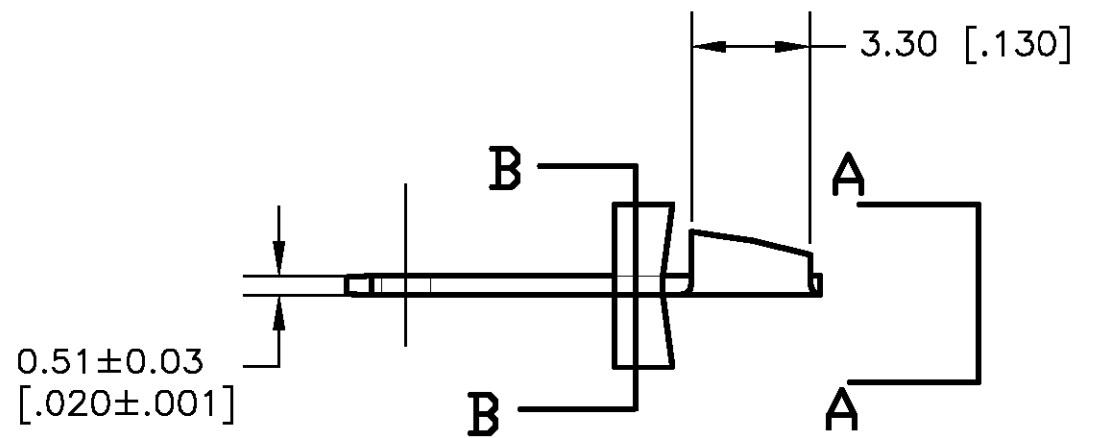


THIS DRAWING IS UNPUBLISHED. RELEASED FOR PUBLICATION
 © COPYRIGHT BY TYCO ELECTRONICS CORPORATION. ALL RIGHTS RESERVED.

LOC	DIST	REVISIONS			
P	LTR	DESCRIPTION	DATE	DWN	APVD
AF	50	B	REDRAWN PER 0G3A-0126-01	22FEB01	JR ND



VIEW A-A



SECTION B-B

- SUPPLIED IN LOOSE PIECE.
- 0.00381 [.000150] MIN TIN PL OVER 0.00254 [.000100] MIN COPPER PL.
- PARTS TO MEET AMP SOLDERABILITY SPEC 109-11-2, MIDLY ACTIVATED ROSIN.
- PRINTED CIRCUIT BOARD THK IS 0.81/2.36 [.032/.093] THK WITH A HOLE DIA OF 1.70/1.60 [.067/.063].

61968-1	62437-1
STRIP P/N	PART NO.

THIS DRAWING IS A CONTROLLED DOCUMENT.		DWN JR RUTH 22FEB01	Tyco Electronics Corporation Harrisburg, PA. 17057	
DIMENSIONS: MM [INCHES]		CHK MS FEHER 22FEB01	NAME TAB, FASTON, PC BOARD 2.79 [.110] SERIES	
TOLERANCES UNLESS OTHERWISE SPECIFIED:		APVD N DEIBERT 22FEB01	PRODUCT SPEC	
0 PLC ± -		APPLICATION SPEC	RESTRICTED TO	
1 PLC ± -		WEIGHT -	SIZE A3	CAGE CODE 00779
2 PLC ± 0.25 [.010]		CUSTOMER DRAWING	DRAWING NO C-62437	SCALE 5:1
3 PLC ± -			SHEET 1 OF 1	REV B
4 PLC ± -				
ANGLES ± -				
MATERIAL 082 BRASS				
FINISH - 2				